



MINI-BAJA SPONSORSHIP PROGRAM

COMMERCIAL VALUE OF THE SPONSORSHIP

To all students,

In order to support students of different Universities and Colleges, CVTech-AAB is happy to sponsor teams who will participate in the SAE Mini-Baja competitions.

Our sponsorship consists in a complete set of CVT, including a driver pulley, a driven pulley, two belts, a calibration kit and CVTech stickers for a sales price of 300.00\$ CAD (freight, taxes and customs are not included).

The approximate commercial value of this set is 680.00\$ CAD.

All the fields in the form must be filled out or else your order will not be processed without any other notice.

We wish you Good Luck for your competitions!



Ph: 418-335-7220

Toll Free: 1-800-518-7220

Fax: 1-866-418-4786

E-mail: info@cvtech-aab.com



MINI-BAJA PROJECT

REGISTRATION FORM

(Fill out and fax to 1-866-418-4786)

In order to make a better follow-up on the sponsorship regarding the SAE Mini-Baja project, we would like your collaboration and require the return of this present form for a request of sponsorship. Please take note that we won't accept any phone order, you have to return this duly filled out form by fax.

Request date: _____

University or College name: _____

University or College web site : _____

Shipping address: _____

Project supervisor name (teacher): _____

Phone number: _____

Project leader name: _____

Project leader email: _____

Belt chosen (see belt selection table on page # 6): _____

Shipping company: FedEx UPS DHL Dicom Purolator

Shipping company account number: _____

We can also provide a "collect" service.

Credit Card number: _____ Visa Master Card

Name on credit card: _____

Expiration date: _____ month / year (Note: the credit card must be valid for at least 6 months after request date)

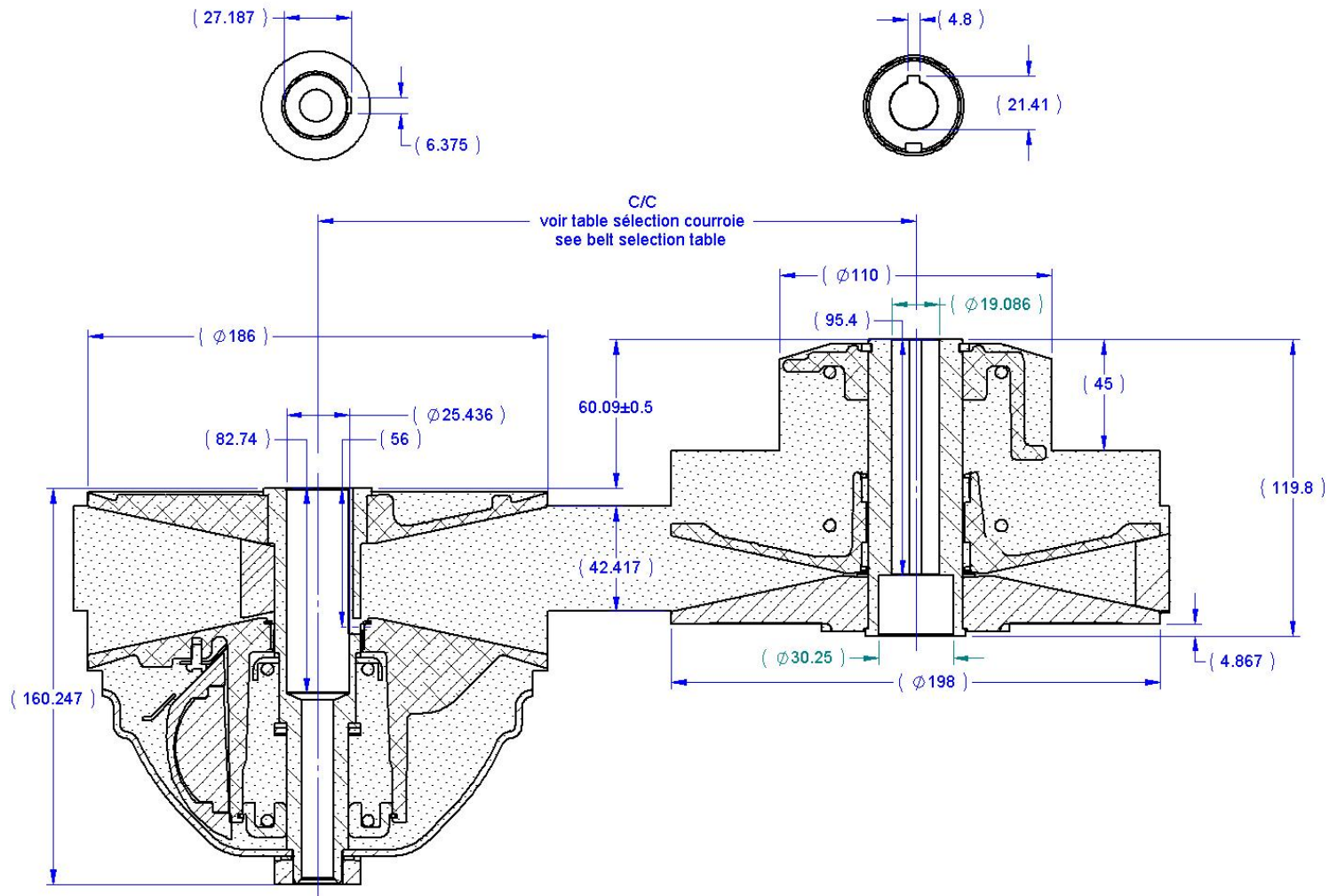
3-digit number on the back side of your card: _____

The request has to be done by only one person, per school, per year. If you want to pick up the package at our facility, you must contact us to make an appointment.

The sponsorship consists in 1 driver pulley, 1 driven pulley, 1 calibration kit and 2 belts of your choice (see table for belt selection and shipping details on page # 6).

Thank you for your cooperation.

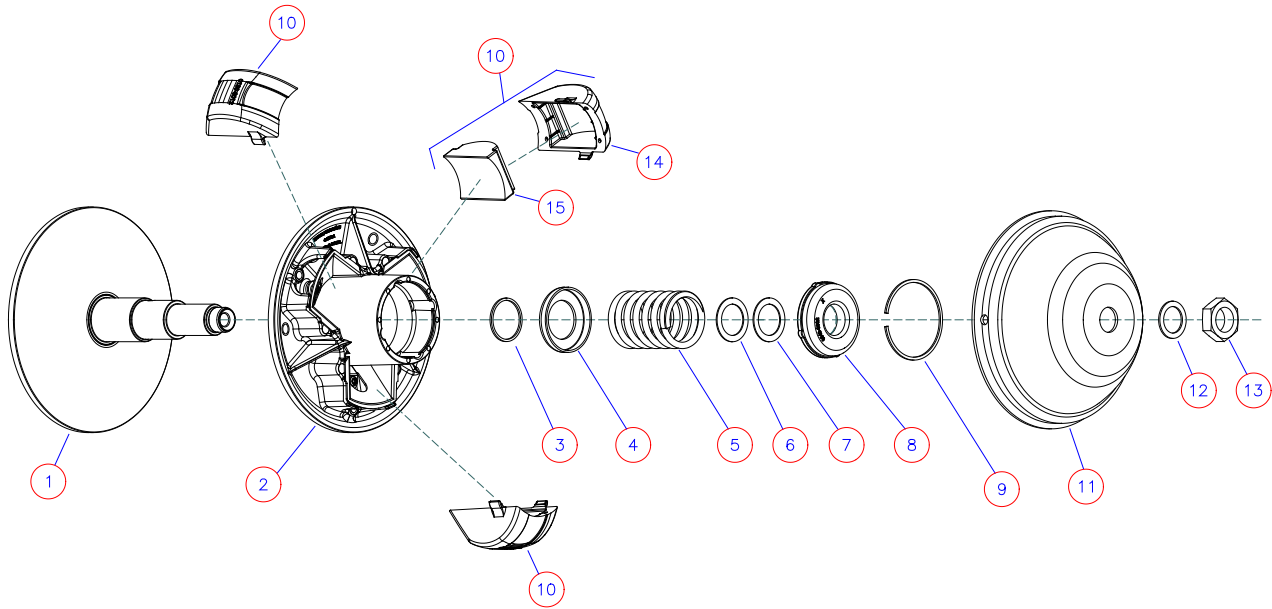
Mini Baja geometry



Note: All dimensions are in millimetres (mm)

Driver Pulley :

- 0600-0021

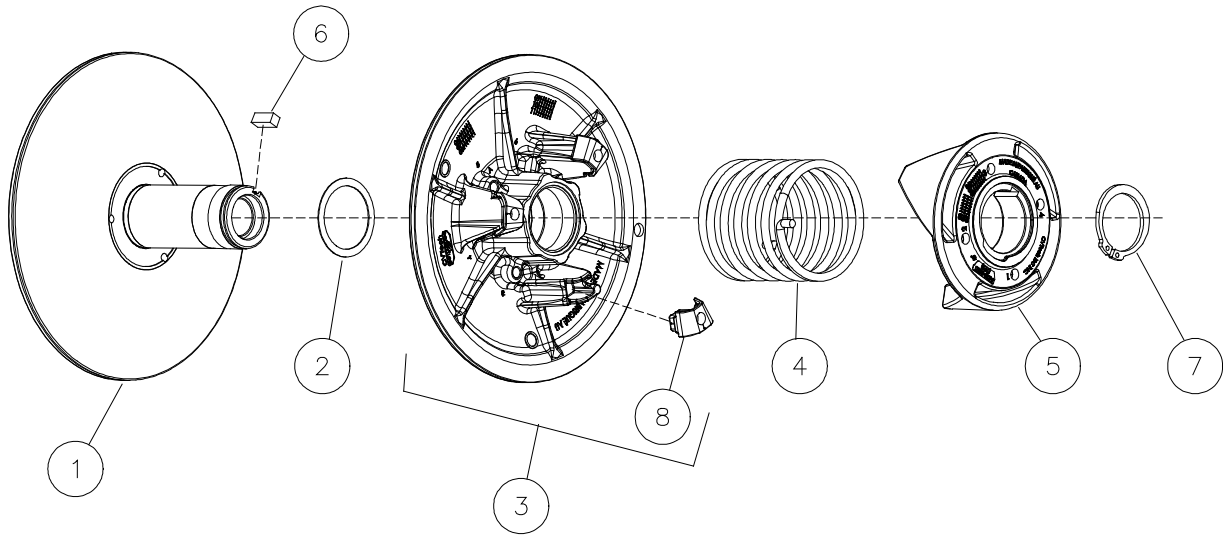


0600-5019

Parts	Description	Qty	0600-0021
1	Fixed flange	1	0605-0029
2	Sliding flange	1	0610-0015
3	Slider washer	1	0080-0177
4	Spring guide washer	1	0650-1001
5	Spring	1	0651-1101
6	Shim washer	1	0080-0613
7	Shim washer	1	0080-0603
8	Spring cover	1	0540-3002
9	Internal snap ring	1	C15
10	Assembled block	3	0130-0234
11	D1 Cap	1	0115-0052
12	Lock washer	1	0080-0169
13	Lock Nut	1	X-1520
14	Block	3	0130-3012
15	Weight 275g.	3	0135-3065

Driven Pulley :

- 5600-0171



5600-5003

Parts	Description	Qty	5600-0171
1	Fixed Flange	1	5605-0031
2	Shim Washer	1	ASA-1
3	Sliding Flange	1	5610-0001
4	Spring	1	5051-1011
5	Cam	1	5620-2006
6	Square key ¼	1	ASK-5
7	Snap Ring	1	0080-0220
8	Cam Shoe	3	5630-3001

Belt selection table (select 1 type for sponsorship)

C/C (mm)	Belt #	Pitch length (mm)	Min ratio	Max ratio	Ratio range
200	BD52-2167-S	835	3.0 : 1	0.43 : 1	6.97
214	BD52-2172-S	860	3.0 : 1	0.43 : 1	6.97
232	BD52-2179-S	895	3.0 : 1	0.43 : 1	6.97
242	BD52-2183-S	915	3.0 : 1	0.43 : 1	6.97
299	KE52-2205-S	1025	3.0 : 1	0.43 : 1	6.97

Calibration kit 0001-7002 (included in sponsorship)

Part number	Description	Qty
0651-1100	Drive pulley spring (white / green / pink)	1
0551-1119	Drive pulley spring (silver / pink / yellow)	1
5051-1015	Driven pulley spring (orange / silver / yellow)	1
0135-3065	Weight (275 g)	3

Additional information for drive pulley springs:

Part number	Engagement load (Newton)	Maximum speed load (Newton)
0651-1100	850	1200
0651-1101	600	900
0551-1119	450	950

Shipping information

Approximate weight of the package: 10 kg (22 lbs)

Size of the box: 52 cm x 26 cm x 21 cm (20 ½ "x10 ¼ " x 8 ¼ ")